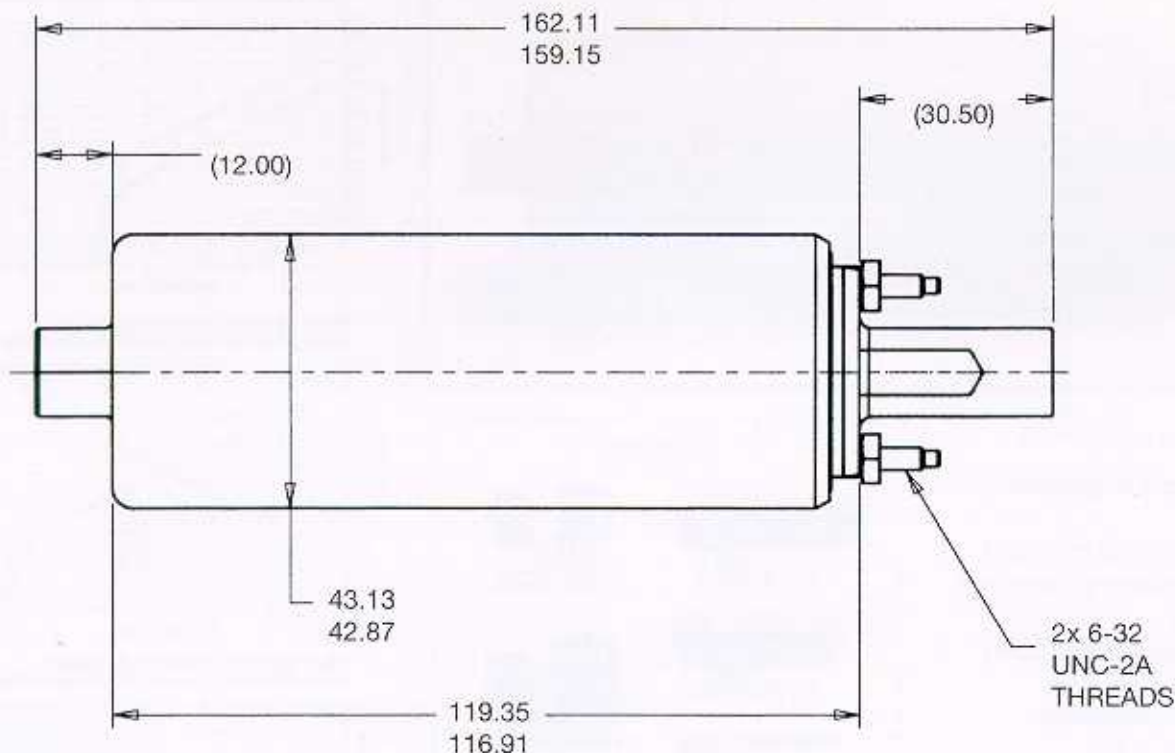


WALBRO GEROTOR ELECTRIC FUEL PUMP IN-LINE DESIGN



WALBRO
ELECTRIC
FUEL PUMP



Mechanical Specifications

Weight	17.4 oz
Outside Materials	Aluminum
Terminals (inlet)	6/32 threaded brass studs
Inlet Fitting	M 10x1 internal threads
Outlet fitting	M 10x1 internal threads

Environmental Characteristics

Temperature Range	Fluid: -40°C to 65°C (-40°F to 150°F)
Vibration	9 G's @ 10-55 Hz for 6 hours
Shock	25 G's
Contamination	8 grams per 100 gallons, 80 micron dust contaminate
Corrosion Resistance	96 hour salt spray per ASTM B117
Safe Dry Operation	5 minutes typical
Mounting	in-tank or in-line

Filter

Per customer needs Specified by application

TI Group[®]
Automotive Systems

Aftermarket Division
6242 Garfield Street
Cass City Michigan 48726-1325
Phone (517) 872-2131
FAX (517) 872-4957
E-mail: custserve@walbro.com